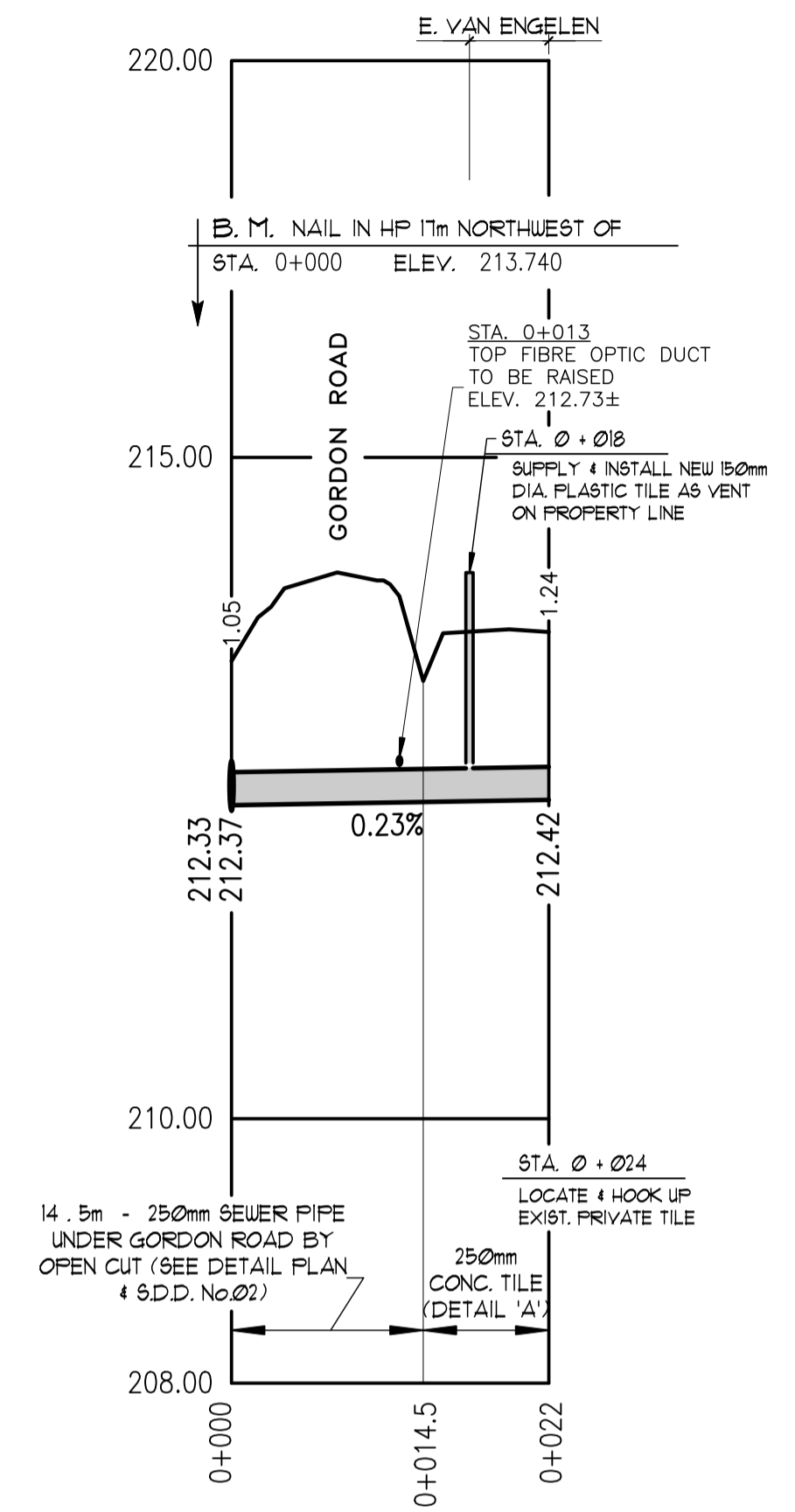


GENERAL NOTES

- 1/ OUR SPECIFICATIONS DATED JANUARY 2020 APPLY TO THIS PROJECT.
- 2/ THE WORKING WIDTH AVAILABLE TO THE CONTRACTOR TO CONSTRUCT THE NEW DRAIN SHALL CONSIST OF THOSE LANDS IMMEDIATELY ADJACENT TO THE DRAIN AND CONNECTIONS AND SHALL NOT EXCEED THE FOLLOWING AVERAGE WIDTHS.
CLOSED PORTIONS - 20 METERS
THE WORKING WIDTH FOR PURPOSES OF FUTURE MAINTENANCE SHALL BE THE SAME AS ABOVE.
- 3/ ALL OWNERS ALONG THE COURSE OF THE DRAIN SHALL MAKE AN ACCESS ROUTE FROM THE NEAREST ROAD TO THE DRAIN LOCATION AVAILABLE TO THE CONTRACTOR THE AVERAGE WIDTH OF THIS ROUTE SHALL NOT EXCEED 8 METERS. THE ACCESS ROUTE SHALL ALSO APPLY FOR FUTURE MAINTENANCE PURPOSES.
- 4/ a) ALL UTILITIES TO BE LOCATED AND EXPOSED PRIOR TO CONSTRUCTION SO THAT THE NEW TILE GRADES CAN BE CONFIRMED. IF THERE IS A CONFLICT IN ELEVATION BETWEEN THE PROPOSED DRAIN AND THE UTILITY, THE ENGINEER IS TO BE NOTIFIED IMMEDIATELY.
b) CONTRACTOR TO NOTIFY ALL UTILITIES 12 HOURS PRIOR TO HIS SCHEDULED TIME FOR STARTING THE ABOVE WORK.
c) THE COST FOR THIS WORK SHALL BE INCLUDED IN THE ITEM ON THE EXTENT OF WORK AND NO EXTRA PAYMENT SHALL BE MADE TO THE CONTRACTOR, EXCEPT IF ROAD RESTORATION IS REQUIRED.
- 5/ CONTRACTOR TO ARRANGE A PRE-CONSTRUCTION MEETING WITH THE ENGINEER, DRAINAGE SUPERINTENDENT, AND THE AFFECTED OWNERS. ALL PARTIES SHALL RECEIVE 48 HOURS NOTICE TO THE MEETING.
- 6/ ALL CONCRETE AND PLASTIC TILE AND PIPE TO CONFORM TO "SECTION C.1" IN THE SPECIFICATIONS.
a) SEWER PIPE TO BE CONCRETE, H. D. P. E. PLASTIC 320 MPA (BELL & SPIGOT WITH RUBBER GASKETS, CONFORMING TO C.S.A. 1026-08), PVC ULTRA RIB OR PVC SDR 35
b) CONCRETE TILE SHALL BE HEAVY DUTY, 2000 D OR 2400 D AS SPECIFIED ON PROFILE.
- 7/ NEW TILE DRAINS TO BE LOCATED AS SHOWN IN THE DETAIL PLAN.
EXISTING TILE DRAINS TO BE EXPOSED IN AS MANY LOCATIONS AS ARE NECESSARY TO CONFIRM THEIR EXACT LOCATION AND ELEVATION PRIOR TO CONSTRUCTION. EXACT LOCATION OF NEW TILE DRAINS THEN TO BE CONFIRMED BY DRAINAGE SUPERINTENDENT OR ENGINEER.
- 8/ a) INSTALLATION OF TILE AND TRENCH WIDTHS SHALL BE IN ACCORDANCE WITH "SECTION C - TILE DRAIN" IN THE SPECIFICATIONS.
b) SEWER PIPE UNDER TRAVEL PORTION OF ROAD TO BE INSTALLED IN ACCORDANCE WITH STANDARD DETAILED DRAWING No. 02 IN THE SPECIFICATIONS.
c) ALL PIPE TO BE INSTALLED IN ACCORDANCE WITH DETAIL "A"
d) NO CONSTRUCTION EQUIPMENT OR FARM MACHINERY SHALL CROSS OVER THE MOUNDED BACKFILLED TILE TRENCHES UNTIL SUFFICIENT SETTLEMENT HAS OCCURRED.
e) ALL CONCRETE TILE AND TILE-PIPE JOINTS TO BE WRAPPED WITH GEOTEXTILE IN ACCORDANCE WITH "SECTION C.8" IN THE SPECIFICATIONS.
f) STRIP AND STOCKPILE TOPSOIL FROM CONSTRUCTION AREA (4 metre width). EXCESS SPOIL TO BE LEVELLED AND TOPSOIL RELEVELLED OVER SPOIL, MOUNDED TRENCH AND REMAINING CONSTRUCTION AREA.
- 9/ a) THE CONTRACTOR SHALL ENSURE THAT ALL TRIBUTARY DRAINS ARE CONNECTED DURING TIME OF CONSTRUCTION. ANY MISSED TILE CONNECTIONS THAT ARE FOUND DURING THE WARRANTY PERIOD OF THE CONTRACT SHALL BE COMPLETED BY THE CONTRACTOR AND SHALL BE PAID THE AMOUNT SET OUT ON PAGE 2 OF THE "FORM OF TENDER". NO ADDITIONAL PAYMENT FOR MOBILIZATION WILL BE ALLOWED. THE CONTRACTOR IS NOT RESPONSIBLE FOR COMPLETING MISSED TILE CONNECTIONS THAT ARE FOUND AFTER THE WARRANTY PERIOD FOR THE CONTRACT HAS EXPIRED.
b) ALL TILE CONNECTIONS TO BE MADE WITH CORING MACHINE AND PLASTIC ADAPTOR OR PREFABRICATED FITTINGS.
c) THE CONTRACTOR SHALL SUPPLY THE ENGINEER WITH A LIST SHOWING STATIONS OF ALL TILE CONNECTIONS UPON COMPLETION OF CONSTRUCTION.



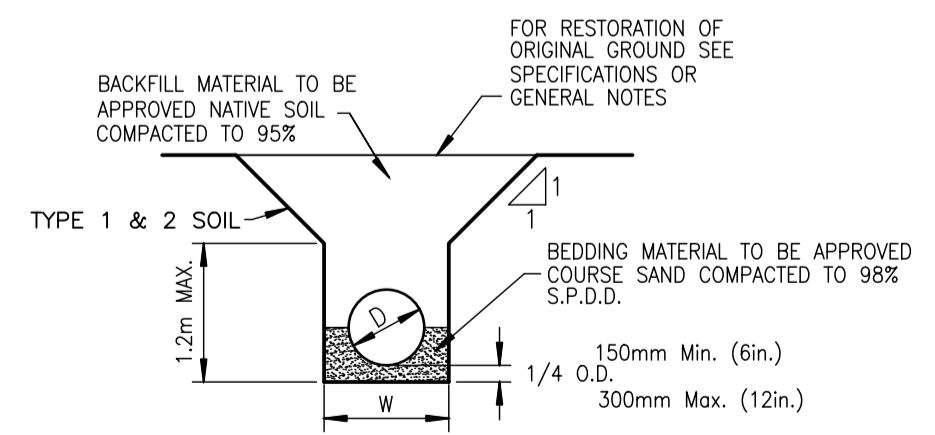
PROFILE

SCALE: HOR. 1:500
VERT. 1:50

PLAN LEGEND

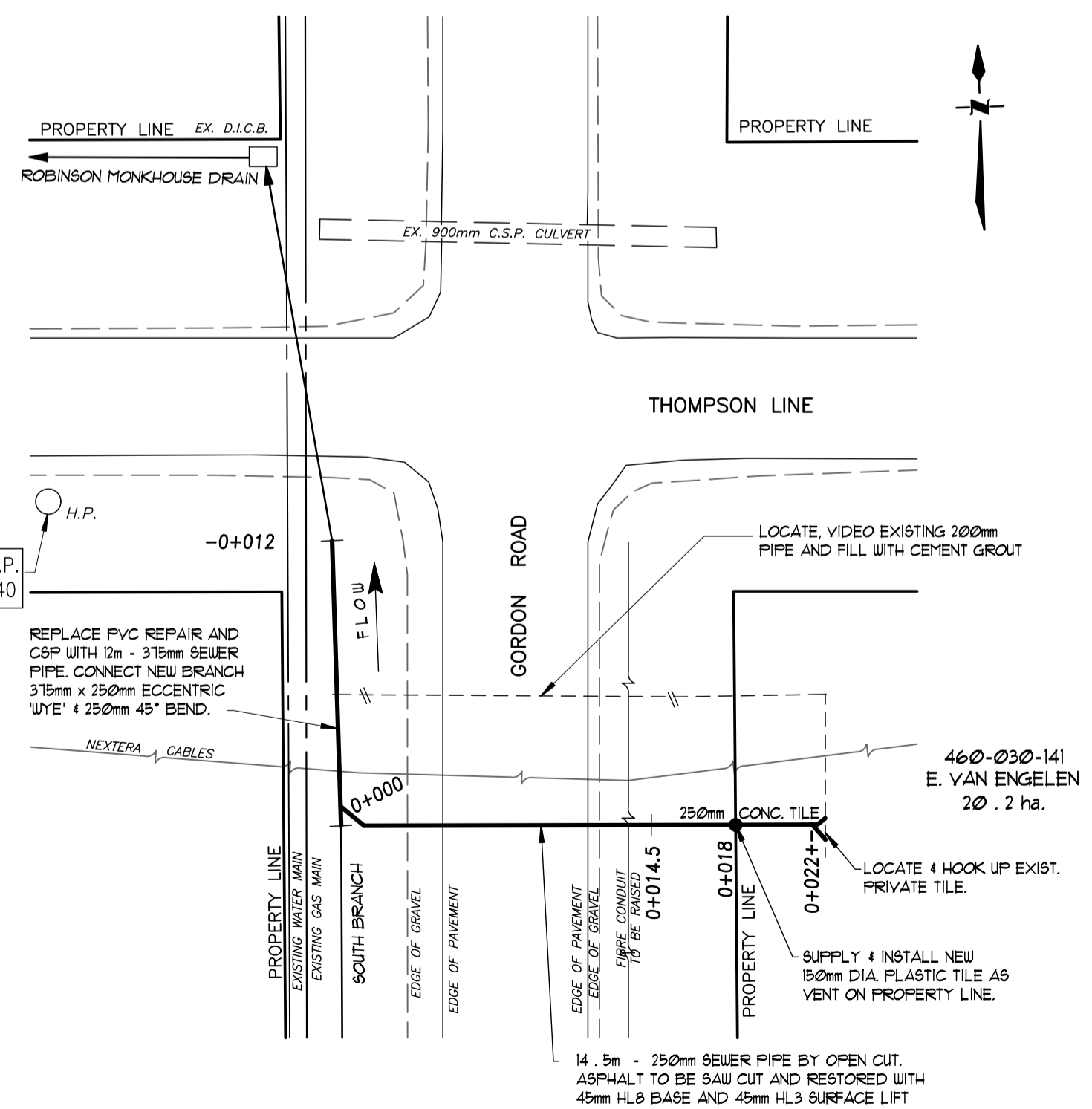
- LIMIT OF WATERSHED AREA
- PROPOSED DRAINAGE WORKS
- EXTERIOR OR INTERIOR WATERSHED
- EXIST. MUNICIPAL DRAIN
- 10 - 029 ASSESSMENT ROLL NUMBER
J. SMITH OWNERS NAME
40.5 ha. HECTARES OWNED
- BUSH AREA

PLAN SCALE 1:5,000



D = INSIDE DIAMETER
W = O.D. + 600mm FOR O.D. ≤ 900mm
W = O.D. + 750mm FOR O.D. > 900mm

DETAIL "A" N.T.S.



DETAIL PLAN

SCALE 1:300

ROBINSON MONKHOUSE DRAIN 2025
Municipality of Lambton Shores

Drainage Superintendent:		No.		REVISIONS		DATE	
RYAN GRIFFIN							
519-243-1400 Ext. 8211							
Drawn By: AV	Field Book	JOB No.	Drawing No.				
Date: JULY 31, 2025	D - 214	222016	1 of 1				
PLAN, PROFILES & DETAIL							
SPRIET ASSOCIATES LIMITED							
LONDON CONSULTING ENGINEERS							
155 YORK STREET - LONDON (519) 672-4100 - N6A 1A8							